

Waves M360° Surround Manager

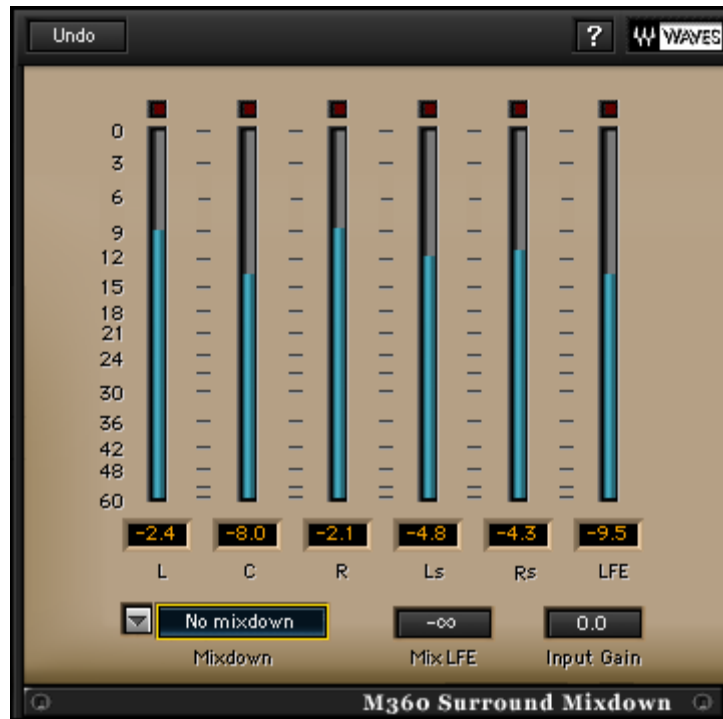
Software Audio Processors

User's Guide

M360° Surround Manager



M360° Mixdown Manager



Introduction and Overview

Introducing **Waves M360°**, a *Surround Managing tool* for 5 or 5.1 channels. This tool offers *Studio Monitoring Calibration* and *Bass Management* solutions for working on surround sound productions.

The **Waves M360°** manager allows you to monitor with a *Satellite* and *Subwoofer* system (“Sub/Sat”) with flexible control of the *Subwoofer* feed as well as individual channel gain and delay settings.

The **Waves 360° Surround Toolkit** follows the reproduction standards recommended by the International Telecommunications Union in the ITU-R BS.775 (1993). It also provides means to handle some common compromises and variations of this standard. The **M360°**’s versatility allows it to complement your work style. You will find it the tool of choice for working on soundtracks or music for the best reproduction in Home Theater systems.

We believe that, with practice, surround will become as easy to work with as stereo. There is, however, a potential problem with how the consumer’s actual playback system is configured and calibrated. Even if the playback system is fully calibrated and conformed to ITU recommendations, this is not the ideal array for playing a spatial 360° spherical sound field, but it is the common one in consumer electronics.

Overview of the M360°

The **M360°** has two plug-in components – **M360° Manager** and **M360° Mixdown**.

The **M360° Manager** is designed to insert on the master surround output. It is dedicated to carry out some important chores:

- Allow calibration of the studio monitoring system.
- Setup monitoring with a Sub/Satellite (“Sub/Sat”) playback system.
- Preview standard 5.1 target playback processing.

The **M360° Mixdown** can be inserted directly after the **Manager** to preview or apply *Mixdown* options.

IMPORTANT: In most cases the M360° Manager will be used for Monitoring calibration and should be bypassed at Mixdown.

If your studio monitoring system elements are well-matched and the speaker setup is conformed to the ITU recommendation, the use of the manager in production should be quite minimal.

Tweaking gains and delays is a common way to calibrate the sound stage, achieving a steadier all round image and better directionality and localization of phantom images. Bass management is necessary for proper Sub/Sat monitoring in surround production facilities as well as Home Theater reproduction systems.

Here, the manager can replace hardware bass management alternatives from within your DAW. You can safely use the *LFE* or .1(point one) channel output as your Subwoofer feed. It will output both the redirected *SUB signal* and the *LFE channel* as if they were separate elements each with its own gain, mute, solo and invert.

The **M360° Manager** can be used in many ways, but the basic recommendation is to insert it on the *Master surround output* and use it for calibration of levels and speaker positions.

We strongly recommend that you calibrate your studio. A step-by-step calibration procedure using the M360° manager was written by Bobby Owsinski and is provided with this product so that you can calibrate and mix like the pros. Once you have calibrated, we recommend boldly mixing a 5 or 5.1 channel image. After the mix is ready, bypass the manager and print it. This will create a straightforward ITU standard compliant image.

IMPORTANT: Be sure to bypass M360° Manager when printing your mix.

This manual will describe many optional applications and choices. Don't be alarmed by the multitude of features, they are here to serve you if you should need them and not to add confusion to the production process. Read the chapter on *Production Disciplines* for more suggestions.

The Surround Manager will only instantiate on 5 or 5.1 channel inserts.

LFE vs. SUB

The *LFE channel* and the *Subwoofer signal* are two different signals. They are often confused with each other.

The *LFE* is a channel that's used for *Low Frequency Effects* such as Explosions or Dinosaur footfalls in film. You can use the *LFE filter* to apply a very steep Low-Pass filter at 120Hz or rely on an external encoder to filter it for you.

The SUB signal consists of redirected low frequencies from the directional "Satellites" or L, C, R, Ls and Rs channels. The full-bandwidth signal of each channel is split by a crossover to its high frequencies feeding the Satellite speakers and Low frequencies redirected to the SUB.

The *Subwoofer feed* combines the *LFE channel* audio (boosted by 10dB) with the *SUB signal*. While the LFE channel is created in production and printed to the master, the Subwoofer feed is created by the *Bass Management* portion of the playback system and isn't printed to the master.

Using M-360°

Basic Operation

To enjoy the full capacity of the **M-360°**, use the **Manager** as an insert on the Master Surround output channel. It is recommended to go through the studio calibration routine provided with this product before you begin to pan sources using the **S360°** components. If your studio is not set up according to ITU recommendations, adjust your speaker angles in the **Manager** so that the pan-pots will perform optimally in this setup. Even if you are sure that your studio is well-calibrated, it is still recommended to insert the manager for further fine tuning. We recommend that you create a custom work setup for your studio and use it as your convenient default.

Manager Usage:

When you insert an **M360° Manager** on your master output you can use it for the following applications:

- Adjust the *speaker angles* to the ones in your studio to work with the S360° Panner – This will provide optimal translation of the mix you make to the standard ITU recommendation.
- Use per-channel gain and delay to *align the level and phase* of all speakers – This will assure that the directionality of the image is solid and not pulling in a certain direction because of speaker level or phase differences.
- Use more *target adjustment options* to account for –3dB surrounds, +10dB LFE playback or other options that relate to encoders and settings available in consumer playback systems.
- Use *Bass management* to set up proper monitoring using a Sub/Sat monitoring system.

Calibrating the studio monitoring system is the first step which should be performed before you begin to mix. Essentially the calibration settings will allow you to trim the gap between your listening environment and the standard ITU spec. The **Manager** behaves like a correcting lens. Remember to bypass **Manager** for *Mixdown*

ADVANCED CALIBRATION OPTIONS

On top of just basic gain and delay calibration, the **M360°** manager allows you to further calibrate *speaker angles* and make *target adjustments*.

Speaker Angles Calibration

Speaker angles calibration is required for setting internal *rotation* and *width* algorithms to perform precisely per the default $\pm 30^\circ$ for L and R speakers and $\pm 110^\circ$ for the Ls and Rs speakers. You should measure the angle of your speakers and update the value in the related control. The *Speaker angles* can be sent to every instance of **S360° Panner** or **Imager** in order to further boost the precision of the pan pots.

The plug-in top toolbar offers a “Send Angles” button. Whenever this button is clicked the speaker angles set in the manager will be used in any **S360° Panner** or **Imager**. Before you print a mix, it is important *to send angles again to zero the angle values* in all Instances of **S360° Panner** or **Imager**. The Interface will always show the Speaker icons at their ITU recommended angle but the beams within the Graphs will represent the calibrated angles. This view allows you to see the difference between the standard and the current setting.

IMPORTANT: Before you print a mix, you must reset the angles to the defaults and *send angles* again to zero the angle values in all Instances of **S360° Panner** or **Imager**.

Target Adjustments

After the Studio monitoring system is well calibrated, some further adjustments can be made. Target adjustments are recommended for previewing common settings that are found in consumer units.

LFE Adjust sets the LFE channel gain to -10dB , 0dB or $+10\text{dB}$ to. When a monitor system is calibrated, the LFE channel is set to playback $+10\text{dB}$ relative to the center channel. If we mix with our LFE Adjust at 0dB then our LFE channel will play back 10dB too loud on a properly calibrated system. It makes sense to adjust the LFE output to be 10dB louder throughout the mixing process so that the result is aligned with the Standard. This setting is a *default setup* in the **M360°**.

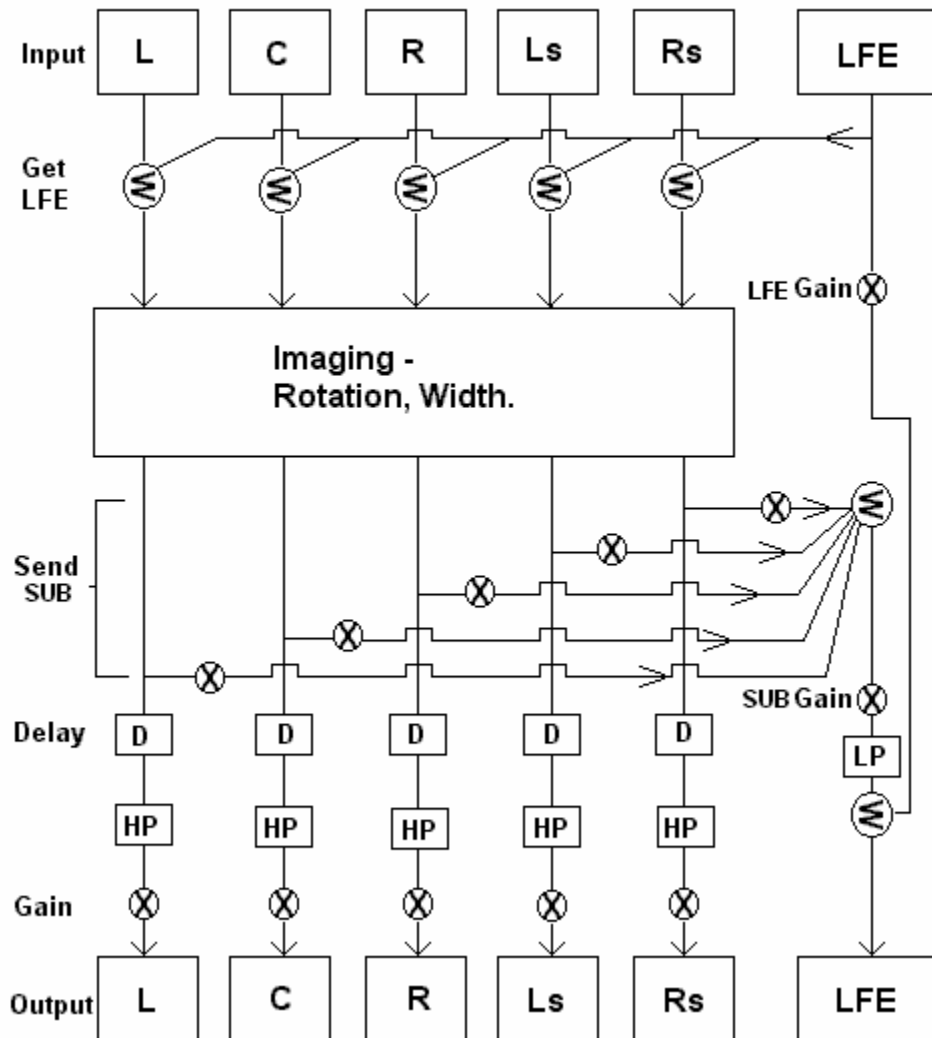
Surrounds Adjust sets -3dB , -6dB , $+3\text{dB}$, or $+6\text{dB}$ to the rear speaker channels. This setting is best previewed and treated after the overall mix is satisfactory as the rotation and width pan-pots rely on matched gain satellites. Many times the Surround channels are padded 3dB . Here the recommendation is to use the Surround adjust control to preview how padded surrounds will affect the sound of

your mix. If the pad is very disturbing then you can apply the mirror setting or apply a 3dB boost to the surround channels using the L360°.

Center Adjust set -3dB, -4.5dB, -6dB, -Aligned, +Aligned, +3dB, +4.5dB, +6dB. As in the case of the surround channels, the *Center* is also known to be set up differently in some consumer systems. Many times it has different specifications than the other satellite speakers. In many cases, home theater installations set up the Center speaker in a straight line with the front speakers, L and R. The result is that the Center speaker is usually slightly louder and has less delay because it is closer to the listener than the other speakers. In this case, adjustment settings can be used to preview a louder Center. On top of the straightforward gain adjustment you can select *+Aligned*. This mode simulates a Center speaker that is in a straight line with the L, R speakers on an equidistant array. It boosts the gain and delays the other speakers according to a listener at a 6ft. distance.

If your studio listening environment has a closer center it may be good to use the *+Aligned* adjustment so that the pan-pots are not distorted due to the center being closer. The need for this also depends on your working discipline and target. For example, in film mixing, the Center emphasis may be wanted and the **Panner's** and **Imager's** pan pots can always use the Left and Right speakers to create a phantom center and use the Center channel for dialog alone or as needed.

M360 Surround Manager - Signal path diagram



Mixdown usage

The *Mixdown plug-in* is very easy and straightforward to use. It allows you to convert a 5.1 Surround image into its related Mono, Stereo, LCR, or LCRS-compatible image using *Mixdown* matrices suggested again by the ITU and some common alternatives.

The *Mixdown* plug-in will also show the *Mixdown peak value* in the corresponding meters. This will allow you to create your stereo-compatible image of the Surround mix from within the same session.

Just insert the *Mixdown* at the very last insert on the *Master fader* and select the *target format*.

If you have an *LFE channel* and you want to include the LFE signal in your *Mixdown* you can use the *Mix LFE control* to specify how much of the LFE signal to mix into the *Mixdown*.

Use the input gain to avoid clipping the output due to increasing levels introduced by the summation of audio from different channels.

Calibrating the studio with M360°

Calibration instructions written by producer/engineer Bobby Owsinski, managing director of Surround Associates. <http://www.surroundassociates.com/>

Follow the simple instructions in this chapter to achieve a well calibrated studio.

There are two ways to set the reference level of the main speakers, either by using a spectrum analyzer or by sound pressure level meter. Although a Real Time Analyzer is more precise, you can get fairly accurate readings with even an inexpensive SPL meter like a Radio Shack. Keep in mind that Radio Shack actually makes two meters; one analog (about \$35) and one digital (about \$60). The cheaper analog meter is actually the more accurate of the two since it can be read in much smaller increments than the digital one. Another excellent device would be the Audio Toolbox, which has a very precise SPL meter as well as an RTA.

Whichever SPL meter you use, make sure that it's set for a C weighting on the SLOW scale.

CALIBRATION SETUP

Before you can calibrate the system, you must make sure that the Pro Tools session is configured properly. The easiest way is to use the included calibration session. In the event that this session is unavailable, configure a 5.1 session in the following manner:

- A. Insert a 5.1 Master Fader into a 5.1 48kHz/24 bit multichannel session. You will be required to create at least one input channel although it will remain unused.
- B. Insert Signal Generator (Multi mono) into the first insert point (Insert A) of the Master Fader. Select pink noise as the signal source.
- C. Insert the LFE Filter into the Insert B.
- D. Insert the M360 Manager into Insert C.

CALIBRATION ROUTINE

1. Insert the Hi-Pass and Lo-Pass filters of each channel by selecting the filter All button and the Sub filter button. You can also select the filters of each channel individually.
2. Send pink noise to the Center speaker only by activating its Solo button.
3. Sit or stand in your normal mixing/listening position, holding the SPL meter at chest level with the microphone facing up at an angle of approximately 45

degrees at the Center speaker. Keep the meter at arm's length to prevent any audio from reflecting against your body.

4. Adjust the Center speaker Gain control either on the speaker or M360 until the channel reaches the desired reference level.

The general reference level can be adjusted either by the level control on the signal generator or the Input Gain on the M360. Generally speaking, this reference level is 85dB if you're mixing for film or 79dB for television, but anything loud enough to excite the room will work. If you're using the Radio Shack analog SPL meter, a reference level of 80dB makes all the measurements easy to read.

5. When calibration of the Center is complete, solo the Left channel and mute the Center, but keep the meter aimed at the Center speaker as you take the readings. Repeat for the Right channel.

6. Repeat step 5 for the Left and Right Surround channels. When taking the SPL readings for the Left Surround or Right Surround speakers, keep the meter at the same angle and position as you did for the front speakers, but turn your body 90 degrees from the Center speaker and aim the SPL meter towards the wall closest to the speaker you are measuring.

REMEMBER: You're only measuring one speaker at a time! All the others must be muted.

7. To set the Sub Level

Mute all main speakers but the center, then solo the Sub. You should now hear sound from only the sub from this point on.

8. Adjust the Send To Sub control until the level measures about 6dB LESS than the main speaker reference level, or 79dB if the reference level is 85. The reason why it reads 6dB less is because there are fewer frequency bands in the sub range (which extends from about 25 to 80Hz).

9. Adjust the Send to Sub controls of the other 4 channels so that they're the same as the one that you just adjusted.

10. Mute the Sub and all main speakers.

11. To set the LFE level:

Solo the LFE on the M360. Set the LFE SPL level so it reads about 4dB HOTTER than the main speaker reference level, or 89dB if the reference level is 85. Do this by using a combination of LFE Gain and LFE Adjust. In most instances, the LFE Adjust will be set at +10. Take notice that there's a 10dB

difference between the sub level and the LFE level. This accounts for the 10dB of gain/headroom for the LFE.

When setting either the sub or LFE, the meter will jump considerably. This is normal since the SPL meter is only reading the peak of the loudest frequency band. The correct reading is the center of the SPL swing.

Calibration is now complete!

To return to normal Pro Tools operation, make sure of the following:

Bypass or close the signal generator input.

Unmute or unsolo all channels and Raise the M360 Input Gain back to 0.0

It is recommended that you save this M360° setup to your user presets for convenient future selection from the Load menu of the plug-in toolbar.

CONSIDERATIONS

- In the event that one speaker has a lower SPL than the others and the level cannot be increased, a second round of calibration must take place. Start with the lowest level speaker first and use that as your reference SPL while decreasing the others until the level of all speakers are the same.
- Some subwoofers are not sensitive enough to obtain the required level to calibrate properly with the main speakers. In this case, simply plug any device that could act as a line amp in (such as a hardware compressor set on a 1:1 ration) before the subwoofer to raise the gain.
- If you are using very small (5" woofer) main monitors and perceive an upper bass-range (80 to 100Hz) dip in the frequency response, try either raising the crossover frequency of the subwoofer or decreasing the HPF slope of the main speakers (or both), then recalibrate.

M360° Controls and Displays

MANAGER CONTROLS:

INPUT GAIN: 0dB to -24dB Default: 0dB.
Controls the *Input gain* of the Surround manager.

Rotation Section



The *Rotation* section consists of 3 controls.

ROTATION: On/Off. Default: On.
This control Turns the Rotation on or off. It is useful to eliminate any applied rotation with a single click.

ROTATION ANGLE: +180° to -180°. Default: 0°.
The *angle* will determine the *direction* of the phantom image that you are panning.

ROTATION PAN-POT: *Pair-wise, Triple-wise*. Default: *Pair-wise*.
This selects the method by which the *Rotation* will be calculated.

Width Section



The *Width* section consists of 3 controls.

WIDTH: On/Off. Default: On.
This control turns the *width* settings on or off. It is useful to audition the sound with or without the applied *width*.

WIDTH RATIO: 0 to 4. Default: 1.
0 will collapse any image to a *mono phantom*. 1 will usually represent the *Bypass* although some width Pan-pots don't have a true input accurate bypass. A ratio of

4 will be the *widest*. The sound of the *width* settings varies according to the selected *Width Pan-Pot*.

WIDTH PAN-POT: *Mono Divergence, Balanced, Front-stage, Focus, Front/Rear-stage*. Default: *Mono Divergence* for mono input, *Balanced* for others.

Speaker Angle Calibration



L,R ANGLE

±15° to ±60°. Default: ±30°

Adjusts the *angles* of the front speakers in relation to the *Center* of the *front soundstage*.

Ls,Rs ANGLE

±90° to ±160° Default: ±110°

Adjusts the *angles* of the rear speakers in relation to the *Center* of the *front soundstage*.

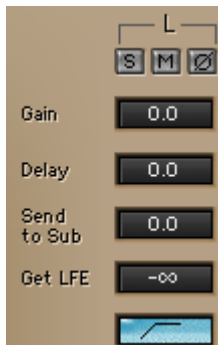
CENTER ADJUST



0dB(default), +3, +4.5, +6, -6, -4.5, -3dB and -Aligned, +Aligned.

Adjusts settings of *Center Channel*. Aligned Center compensates for a Center speaker that is closer than the L/R, adjusting with both delay and gain.

Satellite channel strip controls



Each of the 5 main channels has the following controls in its dedicated strip in the **Manager GUI**.

MUTE

Default: Off.

Mutes the sound for the related channel.

SOLO

Default: Off.

Solos the sound for the related channel. *Mutes* all channels that are not in *Solo*.

PHASE INVERT

Default: Off.

Inverts the *phase* for the related channel.

GAIN

0dB to –Infinity. Default: 0dB.

Adjusts the channel gain for level calibration.

DELAY

0 to 15 milliseconds. Default 0ms.

Adjusts the channel *delay* for phase calibration.

SEND SUB

0 to –Infinity. Default: –Inf.

Sends the related *channel signal* to the *SUB signal* by the specified gain.

Appears only in the 5, 5.1>5.1 component.

GET LFE

0 to –Infinity. Default: –Inf.

Redirects the *LFE input signal* to the related *channel* by the specified gain.

Appears only in the 5.1>5.1 component.

APPLY HIGH PASS

On/Off. Default: On.

Applies the *Bass manager Crossover Hi-Pass filter* to the specified *channel*.

Appears only in the 5, 5.1>5.1 component.

LFE section



The *LFE channel* has some of the same controls as the other channels as well as some additional ones.

SOLO, MUTE, INVERT PHASE, APPLY CUTOFF

Same functions as for the other channels. See per channel controls for description.

LFE INPUT

0dB to $-\infty$. Default 0dB

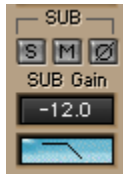
Controls the *gain* of the *LFE input* after the overall input gain.

LFE ADJUST

-10dB, 0dB, +10dB. Default: 0dB

Adjusts a *gain offset* of 10dB up or down for the *LFE channel*.

SUB Section



SOLO, MUTE, INVERT PHASE, APPLY CUTOFF

Same functions as for the other channels. See per channel controls for description.

SUB GAIN

0dB to $-\infty$. Default: 0dB.

APPLY LOW PASS

On/Off. Default: On.

Applies the *Low Pass filter* for the *redirected audio* from the *satellite channels*.

Bass Split section - (Appears only in the 5,5.1>5.1 component)



The *Bass split section* lets you specify the *Bass Management Crossover* settings in terms of cutoff frequency and slope response “Q”.

LOW PASS FREQUENCY

60Hz to 240Hz. Default: 80Hz.

This specifies the *Crossover cutoff frequency*. This defines the *frequency* for the *Bass Management Low-Pass filter* that will be applied for a certain channel when it's *Apply Cutoff* control is ON.

LOW PASS SLOPE (Q)

6, 12, 18, 24dB/Oct. Default: 24dB/Oct.

This specifies the *slope* of the *Low-Pass filter*.

HI PASS FREQUENCY

60Hz to 240Hz. Default: 80Hz.

This specifies the *Crossover cutoff frequency*. This defines the *frequency* for the *Bass Management Hi-Pass filter* that will be applied for a certain channel when it's *Apply Cutoff* control is ON.

HI PASS SLOPE (Q)

6, 12, 18, 24dB/Oct. Default: 12dB/Oct.

This specifies the *slope* of the *Hi-Pass filter*.

SEND SPEAKER ANGLES



This is a special *WaveSystem control*. It allows you to “Send” information to the other open **Panners** and **Imagers**. When you click on *Send angles*, all open instances of the **S360°** will receive this setting and be able to calculate the pan pots even more accurately. New instances of *S360° Panner* or *Imager* will open with their default settings so whenever you open more instances, you may want to go to the **Manager** and click on the “*Send Angles*”. Setting the angles back to *default* is only possible by selecting the *default angles* in the **Manager** and clicking on “*Send Angles*” one more time.

MANAGER DISPLAYS

CIRCLE DISPLAY



Shows the final *Imaging*, *rotation* and *width*, as well as the *speaker angle* settings. The graph shows the Letters L,C,R,Ls,Rs in their ITU-recommended placement and it has four beams that show the adjusted speaker angles

BASS CROSSOVER GRAPH



A *Logarithmic EQ graph*, showing the *Hi-Pass* and *Low-Pass* filters that make the *bass management crossover*. Displays low frequencies only.

MIXDOWN CONTROLS

MIXDOWN



No Mixdown (default).

This control selects the *mixdown* format that you wish to output. You have the following choices:

L,C,R,S (ITU).

L,C,R,S (ITU S-3dB). Plays the mono S signal from both the Ls and Rs speakers.

L,C,R (Wide).

L,C,R (ITU).

L,C,R (ITU-3dB surrounds).

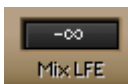
Stereo (Wide).

Stereo (ITU).

Stereo (ITU-3dB surrounds).

Mono.

Mix LFE: $-\infty$ to 0dB. Default: $-\infty$.



The *Mixdown Matrices* do *not* fold the LFE channel signal into the Mixdown. The *Mix LFE* will let you control how much LFE signal should be redirected to the Mixdown channels.

GAIN: $-\infty$ to 0dB. Default: 0dB.



Adjust the *input gain* of the *Mixdown Manager* to eliminate clicking when it occurs due to combining information from separate channels.